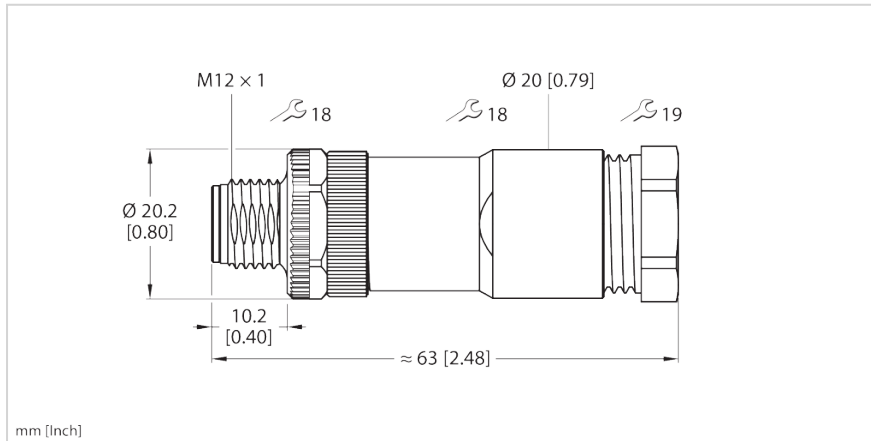


FW-ERSPM0416-PT-S-0810

# Field-Wireable Connector

## M12 Power

### Male Connector M12 × 1, Straight



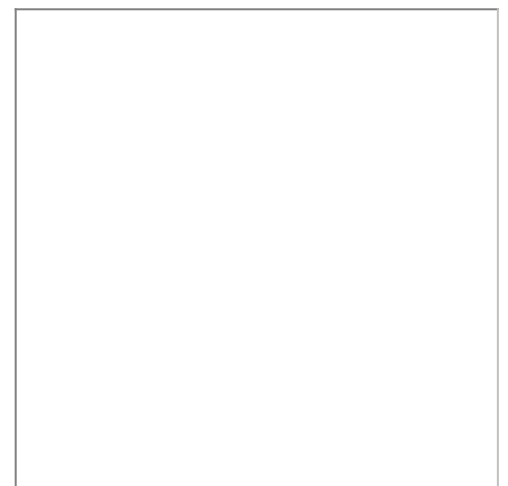
<b>Typ</b>	<b>FW-ERSPM0416-PT-S-0810</b>
Ident-No.	100026335

## Technical data

Electrical data	
Current	12 A
Rated voltage	50 V <sub>AC</sub> /63 V <sub>DC</sub>
Connector A	
Connector A	Male, M12 x 1, Straight, T-coded
Number of Pins	4
Contacts	CuZn, Gold-plated
Contact carriers	Plastic, PA, Black
Connector body	Plastic, Black
Coupling nut/screw	Die-cast Zinc, GD-Zn, Nickel-plated
External diameter of the cable	8...10 mm
Core cross-section/Clamping ability	37368...1.5 mm <sup>2</sup>
Connection mode	Screw/clamp connection
Mechanical lifespan	>100 Steckzyklen
Protection class	IP67, (screwed together)
Ambient conditions	
Ambient temperature (fixed)	-40...+85 °C
Tests/approvals	

## Features

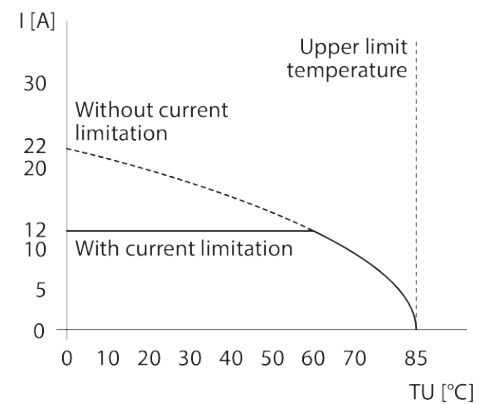
- T-coding
- Metal retaining screw
- Screw-clamp terminal
- 4-pin
- Cable feedthrough: 8.0...10.0 mm
- Terminal capacity:
  - Max. 1.5 mm<sup>2</sup> or 16 AWG (with cable end sleeve)
  - Max. 2.5 mm<sup>2</sup> or 14 AWG (without cable end sleeve)



## Technical data

Approvals	cULus recognized
<b>Comments</b>	
Packaging unit	1

## Derating Curve



## Connectivity accessories — Power supply

<b>RKP46PTA-2/TXL</b>	<b>100038858</b>
-----------------------	------------------

