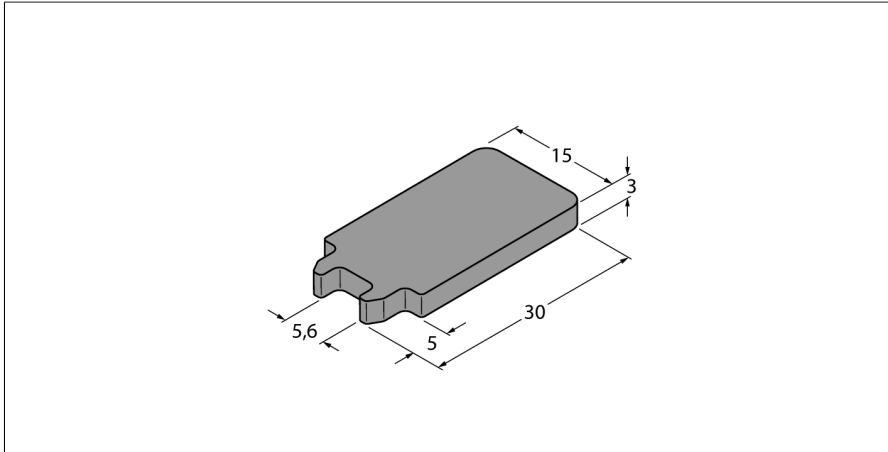


Accessories

Removal Tool

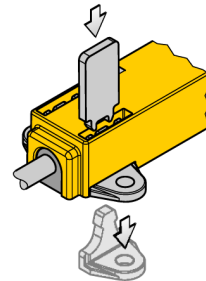
For Linear Position Sensors LI-Q17L

RMT-Q17L



- Removal tool for mounting elements for linear position sensor style Q17L

The mounting elements of the LI-Q17L series can be removed easily and quickly with the removal tool. For this purpose insert the tool in the housing from above, unfix the mounting elements and remove them.



Type	RMT-Q17L
ID	1590755