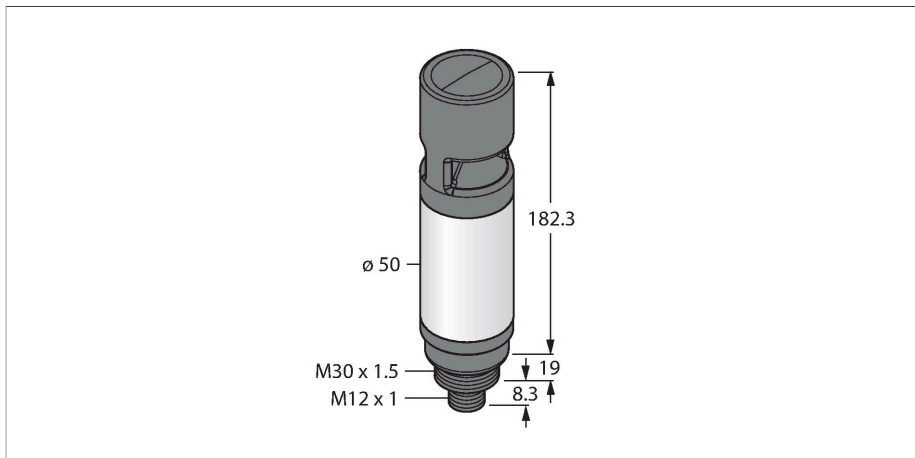


CL50PRGB7AQ

LED Indicator – Tower Light



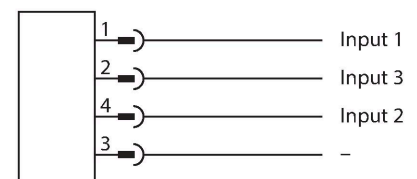
Technical data

Type	CL50PRGB7AQ
ID	3810718
Signal and display data	
Purpose	LED indicator light
Function	Tower light
Light type	RGB
Dimmable	No
Electrical data	
Operating voltage	18...30 VDC
DC rated operational current	≤ 150 mA
Communication protocol	BannerBus (Pro Editor compatible)
Input type	Bimodal (PNP/NPN)
Response time typical	< 10 ms
Mechanical data	
Cascadable	No
Design	Cylindrical/Smooth, CL50
Dimensions	Ø 50 x 145.3 mm
Housing material	Plastic, ABS
Window material	Plastic, diffuse
Electrical connection	Connector, M12 × 1
Ambient temperature	-20...+50 °C
Protection class	IP50
Tests/approvals	
Approvals	CE, UL listed

Features

- LED tower light with beeper
- Individually controllable
- Mechanical screw-in thread M30 x 1.5
- In the standard settings, up to seven colors can be displayed in accordance with the logic table (COL 1, COL 2, COL 3, flashing function)
- Can be configured using Pro Editor, can display up to 14 colors, various lighting animations, configurable I/O-block compatibility
- Operating voltage: 12...30 VDC
- Current consumption: 150 mA
- Inputs: PNP/NPN

Wiring diagram



Functional principle

These lights have RGB LEDs. Four input signals enable one of seven predefined colors to be controlled when using the standard settings, with an optional flashing function if required. The logic table shows which input needs to be connected. Using the Pro Editor software, the advanced settings allow these lights to be assigned up to 14 predefined colors. The major advantage of these LEDs is the color fidelity and luminance. Compared to their predecessors, a large number of variants can be produced with just a single light. The wiring diagram shows a PNP pin assignment.

	R	Y	G	T	B	M	W
COL1	x	x				x	x
COL2		x	x	x			x
COL3				x	x	x	x