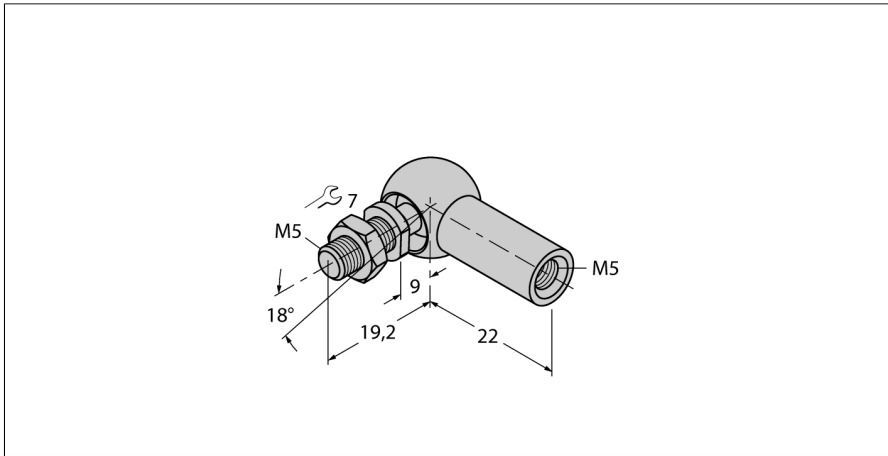


## Accessories

### Angle Joint for Guided Positioning Elements

#### RBVA-M5

- Angle joint for M5 thread
- Stainless steel, 1.4305



Type	RBVA-M5
ID	6901059
Housing material	Stainless steel