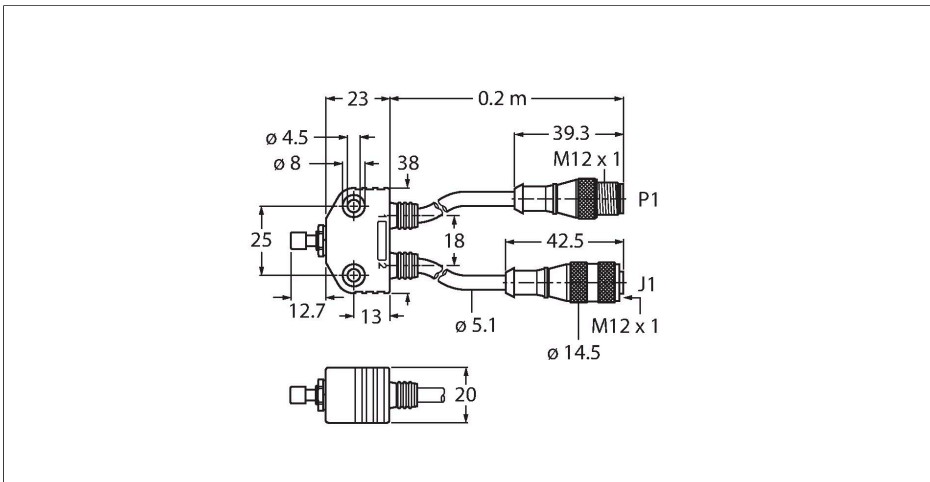


VB2-SP1

Accessories – Teach Adapter

For Weld Nut Sensors



Features

- Male connector M12 x 1

Functional principle

The teach adapter is connected between sensor and cable. Upon pressing the push button, conductor 2 (WH) and conductor 1 (BN) are short-circuited. The connected sensor is configured according to the pulse sequence and pulse duration.

Technical data

Type	VB2-SP1
Ident. no.	A3501-29